

VR PARABOLIC VRA2G16LS26U

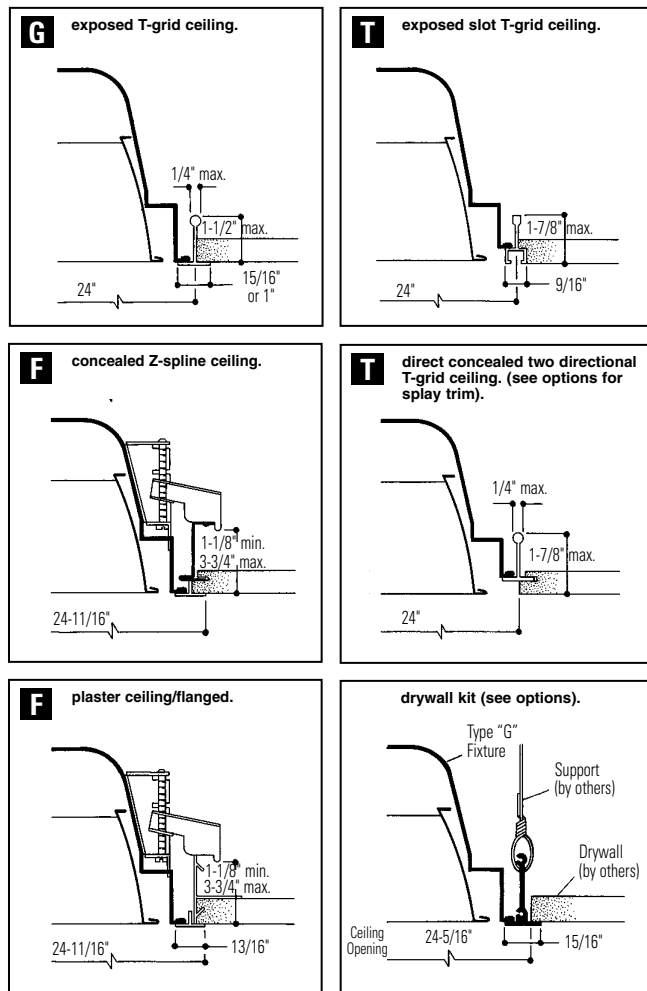
2'x2' RECESSED FLUORESCENT, 4" DEEP, 16 CELL (4x4) PARABOLIC LOUVER
 STATIC OR AIR SUPPLY/RETURN, IES RP1 FOR NORMAL VDT USE

Features

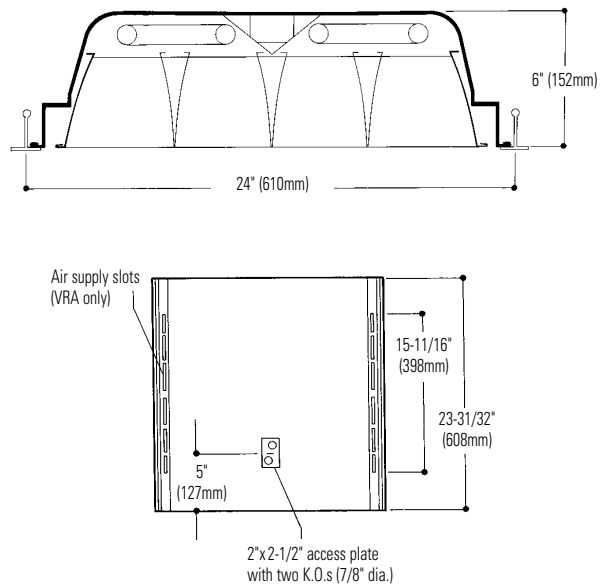
- Meets IES RP1 for lighting VDT areas with normal use.
- 51.7% efficient (T8).
- 1.2 spacing mounting ratio.
- Only 6" deep body.
- One-piece housing.
- Specular low iridescence pre-anodized louver.
- Spring-loaded latches.
- Concealed "T" hinges.
- Louver frame with integral positive light stop.
- Earthquake clips included.
- Louver has protective film dust guard.
- Air closure strips (optional).
- UL-Listed twin knockout access plate.
- Construction to meet Chicago Plenum Code is available.



MOUNTING METHOD



DIMENSIONS



Job Information

Type:

Job Name:

Cat. No.:

Lamp(s):

Volts/Ballast:

Lightolier a Genlyte Thomas Company www.lightolier.com
 Technical Information: (978) 657-7600 • Fax (978) 658-0595
 631 Airport Road, Fall River, MA 02720 • (508) 679-8131 • Fax (508) 674-4710
 We reserve the right to change details of design, materials and finish.
 © 2002 Genlyte Thomas Group LLC (Lightolier Division)
 A0902 **SECTION 2/Folio G05-50 REV. A**

LIGHTOLIER




VR PARABOLIC VRA2G16LS26U

2'x2' RECESSED FLUORESCENT, 4" DEEP, 16 CELL (4x4) PARABOLIC LOUVER STATIC OR AIR SUPPLY/RETURN, IES RP1 FOR NORMAL VDT USE

PHOTOMETRY

MODEL NO. VRA2G16LS26U

LER = FP - 42.0 IW - 57.6 BF - 90.3
Comparative yearly lighting energy cost per 1000 lumens = \$5.71



INDEPENDENT TESTING LABORATORIES, INC.
3280 LOVSHOWN ROAD, BOULDER, COLORADO 80502 • PHONE (303) 442-1225
FAX (303) 448-2374

REPORT NUMBER: IFL14649
PREPARED FOR: LIGHTOLIER
DATE: 01-25-94
CATALOG NUMBER: VRA2G16LS26U120S0
LUMINAIRE: FABRICATED METAL HOUSING, WHITE PAINTED INTERIOR FINISH,
FABRICATED SEMI-SPECULAR ALUMINUM PARABOLIC 16-CELL LOUVER.
LAMPS: TWO 31-WATT FB176/TL741/6 FLUORESCENTS, EACH RATED 2650 LUMENS.
BALLAST: MAGNETIC TRIAD B33T120RM, BALLAST FACTOR = 90.3%
MOUNTING: RECESSED
TOTAL INPUT WATTS = 57.6 AT 120.0 VOLTS
THE 0 DEGREE PLANE IS OPPOSITE THE SOCKETS.

CANDELA DISTRIBUTION

0	15	30	45	60	75	90
1737	1737	1737	1737	1737	1737	1737
5	1720	1746	1773	1759	1729	168
15	1625	1780	1882	1803	1642	502
25	1476	1669	1567	1672	1490	731
35	1286	1183	831	1154	1257	696
45	956	545	408	525	878	480
55	277	114	46	102	224	132
65	37	18	15	16	35	23
75	8	6	5	6	8	7
85	0	2	2	2	3	2
90	0	0	0	0	0	0

ZONAL LUMEN SUMMARY

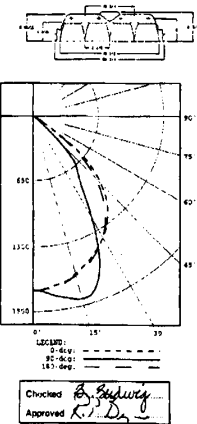
ZONE	LUMENS	%LAMP	%FIXT
0-30	1461	26.4	51.1
0-40	2057	39.6	76.5
0-60	2710	51.1	98.9
0-90	2741	52.7	100.0
90-180	0	0.0	0.0
0-180	2741	51.7	100.0

TOTAL LUMINAIRE EFFICIENCY = 51.7 %
TOTAL REFLECTANCE OF PAINT = 90.2 %

CIE TYPE - DIRECT
PLANE : 0-DEG 90-DEG 130-DEG
SPACING CRITERIA : 1.2 1.1 1.2
SHIELDING ANGLE : 42 38
PLANE : 0-DEG 90-DEG
LUMINOUS LENGTH : 21.500 21.500

LUMINANCE DATA IN CANDELA/SQ M

ANGLE IN DEG	AVERAGE	AVERAGE	AVERAGE
	0-DEG	90-DEG	180-DEG
45	4532.	1934.	4162.
55	1619.	269.	1367.
65	293.	119.	278.
75	104.	65.	104.
85	0.	77.	0.



coefficients of utilization — zonal cavity method (effective floor cavity reflectance 0.20)

	RF	20				50				80			
	RC	80				50				30			
	RW	70	50	30	50	30	10	50	30	10	50	30	10
room cavity ratio	1	58	57	55	53	52	51	51	51	51	51	51	50
	2	55	52	49	49	47	46	46	46	46	46	46	45
	3	51	47	44	45	43	41	41	41	41	41	41	40
	4	48	44	40	42	39	37	37	37	37	37	37	36
	5	45	40	37	39	36	33	33	33	33	33	33	33
	6	42	37	33	36	33	30	30	30	30	30	30	30
	7	40	34	31	33	30	28	28	28	28	28	28	28
	8	37	32	28	31	28	25	25	25	25	25	25	25
	9	35	29	26	29	26	23	23	23	23	23	23	23
	10	33	27	24	27	24	22	22	22	22	22	22	22

visual comfort probability (rated lumens per lamp 3150.)

room size		ceiling height				ceiling height			
W	L	8.5	10.0	13.0	16.0	8.5	10.0	13.0	16.0
20	20	95	93	90	82	99	98	98	95
20	30	96	94	91	85	99	99	98	96
20	40	96	94	93	87	99	99	98	96
20	60	96	94	93	88	99	99	98	96
30	20	95	93	92	86	99	98	98	95
30	30	96	95	93	87	99	99	98	96
30	40	96	95	94	89	99	99	98	96
30	60	96	95	94	90	99	99	98	96
30	80	96	94	94	90	99	99	98	96
40	20	95	94	92	86	99	99	98	96
40	30	96	95	93	88	99	99	98	96
40	40	96	95	94	90	99	99	98	96
40	60	96	94	94	91	99	99	98	96
40	80	96	94	94	91	99	99	98	96
40	100	96	94	94	91	99	99	98	97
60	30	96	95	93	88	99	99	98	96
60	40	96	94	94	90	99	99	98	96
60	60	96	95	94	91	99	99	98	97
60	80	96	95	94	91	99	99	98	97
60	100	96	95	94	91	99	99	98	97
100	40	96	94	94	90	99	99	98	97
100	60	96	95	94	91	99	99	98	97
100	80	96	95	94	91	99	99	98	97
100	100	96	95	94	91	99	99	98	97

ORDERING INFORMATION

Explanation of Catalog Number. Example: VRA2G16LS26U120SORF

VR	2	16	S	2	6U	120 or 277	LE
VR: 4" Deep Pre-anodized Aluminum Louver For Normal VDT Use	FIXTURE WIDTH	CEILING TYPE: G= Grid (lay-in T bar) F= Flanged (overlap) Z spline and plaster frame T= Slot grid or two-directional concealed T (see options)	LOUVER FINISH*: L=Low Iridescence Semi-specular (standard) P=Low Iridescence Specular	LAMP QUANTITY	LAMP TYPE/ FIXTURE LENGTH: 6"U Lamp T8 OR T12 (Nominal 24")	VOLTAGE: 120 or 277	BALLAST TYPE: LE <20THD SO* PS HI* -
BODY STYLE: A=Air Handling S=Static		NUMBER OF CELLS: (4 rows of 4 cells)	SINGLE "V" REFLECTOR				OPTIONS: Add appropriate suffix to catalog no. ie: (GLR)

Other dimming options. Consult factory.

OPTIONS & ACCESSORIES

- PLASTER FRAME:** Catalog Number: PF22.
- CONTINUOUS ROW INSTALLATION:** For F type fixtures, half-width flanges are required between fixtures, Order Catalog Number: S2CTRIM (each joint).
- SPLAY TRIM:** For T ceiling type only. SUFFIX: CTZ22 S2 SPLAY TRIM.
- RADIO INTERFERENCE FILTER:** 120 or 277 volt, 50 or 60 Hz. One per fixture standard. SUFFIX: RF.
- ELECTRICAL WIRING OPTIONS:** Consult factory.
- AIR CLOSURE STRIPS:** SUFFIX ACS2 (factory installed).
- DRYWALL KIT:** Order Catalog Number: FK92X2. (Request Folio OA30-10.)
- CHICAGO PLENUM:** SUFFIX: CP.

SPECIFICATIONS

PERFORMANCE: In an installation of 2 lamp 31W luminaires in a room cavity ratio of 1, reflectance 80% ceiling, 50% wall, 20% floor, the C.U. shall not be less than .57 with a spacing to mounting ratio of 1.2 perpendicular to the lamps. To meet IES RP1 preferred requirements for VDT areas the VCP (visual comfort probability) shall not be less than 96 either crosswise or lengthwise and the maximum average brightness at 65°, 75° and 85° shall not exceed 293, 104, and 77 candelas per square meter respectively in the 0°, 45°, and 90° horizontal planes. Candelas at Nadir (0°) not to exceed 1737.

SPECIFICATIONS (continued)

- AIR HANDLING:** (VRA only) side air passages for air supply or air return. Optional side closure strips. Air return is also provided through the lamp compartment through fixture body ends.
- MATERIALS:** Chassis parts are die-formed code gauge cold rolled steel. Housing side rails hemmed over and housing ends turned-in for safe handling.
- Louver** is pre-anodized aluminum (Coilzak® or equal).
- FINISH:** Chassis exterior—black baked polyester enamel. Cavity—white baked polyester enamel minimum 86% reflectance. Phosphate undercoating.
- Louver**—low iridescence semi-specular anodized vertical grain aluminum reflector sheet is standard.
- ELECTRICAL:** Thermally protected class "P" ballast C.B.M. approved, non PCB. If K.O. is within 3" of ballast, use wire suitable for at least 90°.
- LABELS:** I.B.E.W./UL and C-UL.

Job Information Type:

Lightlier a Genlyte Thomas Company www.lightlier.com
Technical Information: (978) 657-7600 • Fax (978) 658-0595
631 Airport Road, Fall River, MA 02720 • (508) 679-8131 • Fax (508) 674-4710
We reserve the right to change details of design, materials and finish.
© 2002 Genlyte Thomas Group LLC (Lightlier Division)
A0902 SECTION 2/Folio G05-50 REV. A

